

### PILOT SOLENOID OPERATED

#### General Description

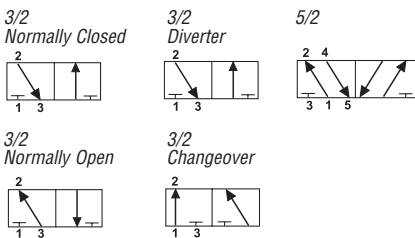
A range of compact 3/2 and 5/2 pilot solenoid operated spool valves in Stainless Steel for use on gases.

- Hazardous area solenoids
- Closed centre
- ATEX, UL, CSA Approved
- EExd, NEMA 7&9
- Lightweight

#### Operating Medium

Filtered non-lubricated air, inert gas, sweet (natural) gases.

#### Functional Symbols



#### Technical Data

##### Ports

- 1/4" NPT (BSP option available)

##### Working Temperature

- Valve version -20°C to +180°C (-4°F to +356°F)
- Solenoid version -20°C to +65°C (-4°F to +149°F)

##### Low temperature version

- -50°C (-58°F) (optional)

##### Working Pressure

- Single solenoid valve 3 to 12 bar (45 to 174 psi)
- Double solenoid valves 2 to 12 bar (30 to 174 psi)

##### Minimum Pilot Pressure

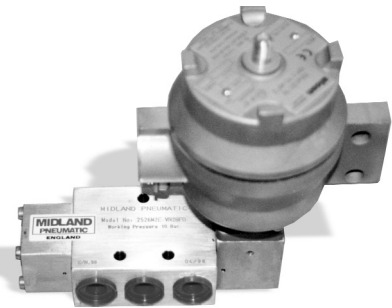
- At 6.3 bar (90 psi) body pressure Pilot return 1.5 bar (22 psi)

##### Maximum Flow

- 6.3 bar (87 psi), 1 bar (14.5 psi) differential
- 3/2 valves - 1000 L/min (35.3 SCFM)
- 5/2 valves - 1200 L/min (42.4 SCFM)

##### Cv (Kv)

- 3/2 valves - 1.0 (15)
- 5/2 valves - 1.2 (17)



#### Construction Materials

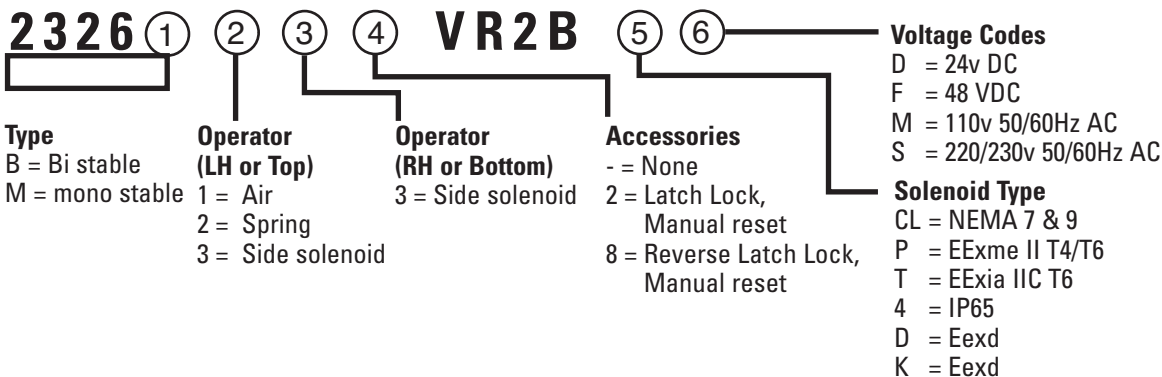
- Stainless Steel AISI 316L to NACE MR-0175 Body
- Stainless Steel AISI 316L to NACE MR-01-75 Spool
- 316 Stainless Steel Spring
- Fluoroelastomer Seals
- Solenoid (refer to solenoid specifications)

#### Instrument Signals

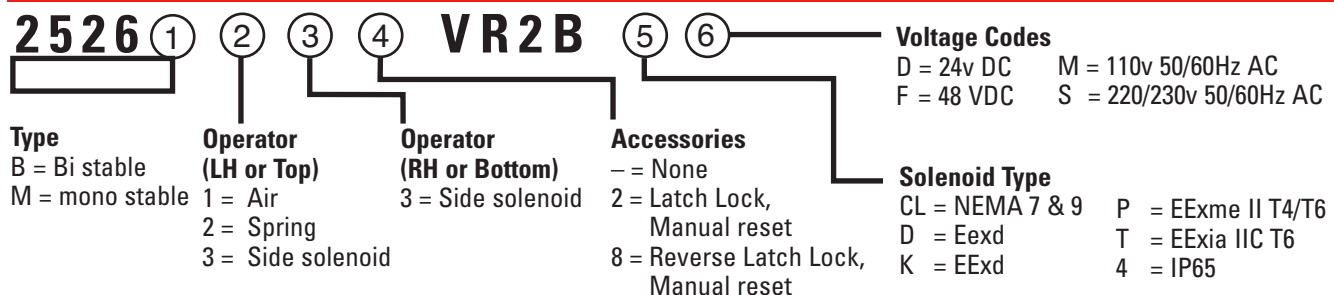
Valves with side mounted solenoids can be supplied to operate on instrument signals, typically 0 to 1.5 bar (0 to 21 psi). A separate supply to this pilot solenoid is necessary. This supply is 2 bar (30 psi) minimum for the double pilot and 3 bar (45 psi) minimum for the single pilot.

### MODEL CODES

#### 3/2 Valves



#### 5/2 Valves



### PILOT SOLENOID OPERATED



### SOLENOID MODEL CODES

Model Code	Safety Rating	Protection and Housing Material	Approved Area	Ingress Protection	Weight kg (lbs)
D	EExd II T5	Flameproof, Cast Iron	Zones 1 & 2	IP65	1.30 (2.86)
CL	NEMA 7 & 9	Flameproof, 316 Stainless Steel	Class I, Groups C & D Class II, Groups E, F & G	NEMA 4	0.29 (0.65)
K	EExdIIC T6	Flameproof, 316 Stainless Steel	Zones 1 and 2	IP67	1.62 (3.57)
P	EEme II T4/T5	Increased Encapsulation, Glass Reinforced Polyamid.	Zones 1 and 2	IP66	0.63 (1.39)
T	EExia IIC T6	Intrinsically Safe. Glass Reinforced Polyamid.	Zones 0	IP66	0.53 (1.17)
4	IP65	Solenoid	Not Approved	IP65	0.085 (0.19)

The model code shown appears in the 13th position of the model number.

### Preferred Models - 3/2 Pilot Solenoid Operated

Model Number	Description	Weight kg (lbs)	Symbol
2326M23-VR2B*+	1/4" NPT 3/2 Pilot solenoid operated, spring return	0.56 (1.23) + Sol	
2326M232VR2B*+	1/4" NPT 3/2 Pilot solenoid operated, spring return with latch lock, manual reset	0.94 (2.07) + Sol	
2326M238VR2B*+	1/4" NPT 3/2 Pilot solenoid operated, spring return with reverse latch lock, manual reset	0.94 (2.07) + Sol	
2326B13-VR2B*+	1/4" NPT 3/2 Pilot solenoid operated, pilot air return	0.71 (1.56) + Sol	
2326B33-VR2B*+	1/4" NPT 3/2 Double pilot solenoid operated	0.71 (1.56) + Sol	

### Preferred Models - 5/2 Pilot Solenoid Operated

Model Number	Description	Weight kg (lbs)	Symbol
2526M23-VR2B*+	1/4" NPT 5/2 Pilot solenoid operated, spring return	1.01 (2.23) + Sol	
2526M232VR2B*+	1/4" NPT 5/2 Pilot solenoid operated, spring return with latch lock, manual reset	1.39 (3.06) + Sol	
2526M238VR2B*+	1/4" NPT 5/2 Pilot solenoid operated, spring return with reverse latch lock, manual reset	1.43 (3.15) + Sol	
2526B13-VR2B*+	1/4" NPT 5/2 Pilot solenoid operated, pilot air return	1.01 (2.23) + Sol	
2526B33-VR2B*+	1/4" NPT 5/2 Double pilot solenoid operated	1.02 (2.25) + Sol	

+ Specify solenoid voltage.

Without solenoid fitted, specify 'Z' in position 13 (for Zones 0, 1 and 2).

\* Specify solenoid type.

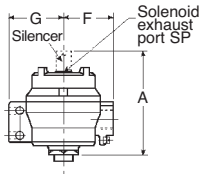
Without solenoid fitted, specify 'A' in position 13 (for NEMA 7 and 9).

### PILOT SOLENOID OPERATED

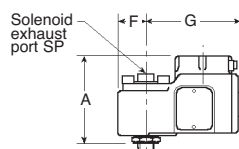
### SOLENOID ASSEMBLIES



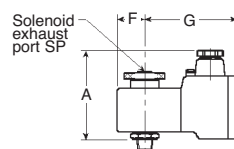
**Solenoid code K**  
(EExd IIC T6)



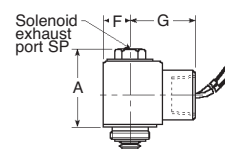
**Solenoid code D**  
(EExd IIc T5)



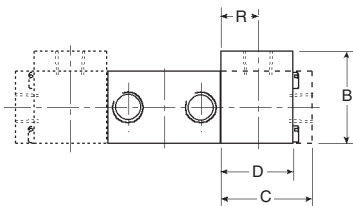
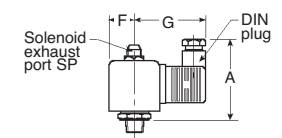
**Solenoid code P (EEx me II T4/T5)**  
**Solenoid code T**  
(EEx ia IIC T6)



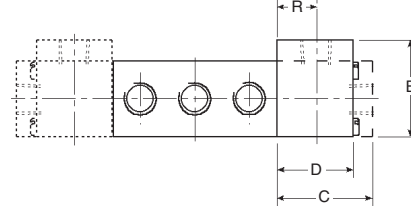
**CL (NEMA 7 & 9)**



**Solenoid code 4**  
(None/hazardous)



3/2 valve base. For basic valve dimensions see page 1500.4



5/2 valve base. For basic valve dimensions see page 1500.4

### INSTALLATION DIMENSIONS mm (inches)

Model Code	A	B	C	D	F	G	R	SP
CL	42 (1.65)	41 (1.61)	32 (1.26)	32 (1.26)	18 (0.71)	40 (1.57)	16 (0.63)	1/8" NPT
D	76 (2.99)	41 (1.61)	32 (1.26)	32 (1.26)	25 (0.98)	84 (3.31)	16 (0.63)	1/8" NPT
K	110 (4.33)	41 (1.61)	32 (1.26)	32 (1.26)	52 (2.05)	58 (2.28)	16 (0.63)	M8
P & T	71.5 (2.81)	41 (1.61)	32 (1.26)	32 (1.26)	25 (0.98)	81 (3.19)	16 (0.63)	1/8" NPT
4	57 (2.24)	39 (1.54)	26 (1.02)	21 (0.83)	19.5 (0.77)	50 (1.97)	11 (0.43)	1/8" NPT

### SOLENOID SPECIFICATIONS

Model Code	K	D	P	T	CL	4
Type of Protection	EExd IIC T6	EExd IIc T5	EEx me II T4/T5	EEx ia IIC T6	NEMA 7 & 9	None
Approved Area	Zones 1 and 2	Zones 1 and 2	Zones 1 and 2	Zone 0	Class I, Groups C & D, Class II Groups E, F & G	None
Degree of Protection	IP67	IP65	IP66	IP66	NEMA 4 (IP55)	IP65
Housing	316 Stainless Steel alt Aluminium Epoxy coated	Ferritic, Cast Iron Epoxy painted	Glass reinforced Polyamid (St St conduit hub)	Glass reinforced Polyamid Polyamid	Stainless Steel Coil potted	Molded Plastic
Cable Entry (Alt cable entry available)	M20 x 1.5	M20 x 1.5	M20 x 1.5	M20 x 1.5	1/2" NPT 24" leads	DIN plug
Power Consumption	DC 5W AC 5W	8W	6W	0.3W	1.8W 1.8W	9W 9W(holding)
Maximum Admissible Surface Temp	85°C (185°F)	100°C (212°F)	T4 135°C (275°F) T5 100°C (212°F)	85°C (185°F)	160°C (320°F)	N/A
Maximum Ambient Temperature	40°C (104°F)	40°C (104°F)	T4 75°C (167°F) T5 40°C (104°F)	65°C (149°F)	40°C (104°F)	55°C (131°F)
Maximum Fluid Temp	80°C (176°F)	75°C (167°F)	75°C (167°F)	75°C (167°F)	105°C (221°F)	75°C (167°F)
Approved Standard	ATEX	ATEX	ATEX	ATEX	UL Listed CSA Certified	N/A N/A
Certificate Number	SIRA03ATEX1319	02ATEX6008X	02ATEX6023X	02ATEX6066X	026894X0000	N/A

### PILOT SOLENOID OPERATED INSTALLATION DIMENSIONS mm (inches)



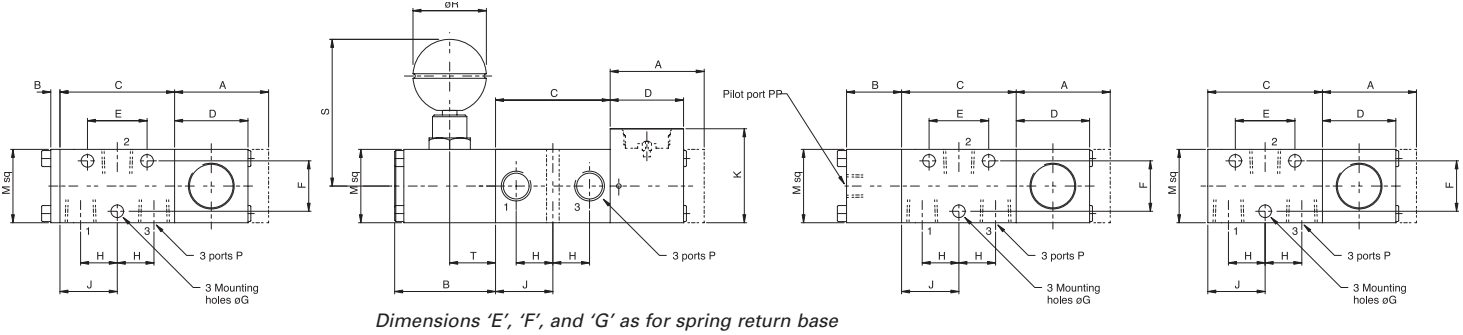
#### 3/2 Pilot Solenoid Operated - Valve Bases

**Spring Return**  
2326M23-VR2B\*\*

**Spring Return with Latch Lock**  
2326M232VR2B\*\* 2326M238VR2B\*\*

**Pilot Air Return**  
2326B13-VR2B\*\*

**Pilot Solenoid Return**  
2326B33-VR2B\*\*



Model Number	A	B	C	D	E	F	G	H	J	K	M	P	PP	R	S	T
2326M23-VR2B**	42	4	50	32	26	22	5.5	16	25	41	32	1/4"NPT	-	-	-	-
	(1.65)	(0.16)	(1.97)	(1.26)	(1.02)	(0.87)	(0.22)	(0.63)	(0.98)	(1.61)	(1.26)	1/4"NPT	-	-	-	-
2326M232VR2B**	42	44	50	32	26	22	5.5	16	25	41	32	1/4"NPT	-	32	64	20
	(1.65)	(1.73)	(1.97)	(1.26)	(1.02)	(0.87)	(0.22)	(0.63)	(0.98)	(1.61)	(1.26)	1/4"NPT	-	(1.26)	(2.52)	(0.79)
2326M238VR2B**	42	44	50	32	26	22	5.5	16	25	41	32	1/4"NPT	-	32	64	20
	(1.65)	(1.73)	(1.97)	(1.26)	(1.02)	(0.87)	(0.22)	(0.63)	(0.98)	(1.61)	(1.26)	1/4"NPT	-	(1.26)	(2.52)	(0.79)
2326B13-VR2B**	42	24	50	32	26	22	5.5	16	25	41	32	1/4"NPT	1/8"NPT	-	-	-
	(1.65)	(0.94)	(1.97)	(1.26)	(1.02)	(0.87)	(0.22)	(0.63)	(0.98)	(1.61)	(1.26)	1/4"NPT	1/8"NPT	-	-	-
2326B33-VR2B**	42	-	50	32	26	22	5.5	16	25	41	32	1/4"NPT	-	-	-	-
	(1.65)	-	(1.97)	(1.26)	(1.02)	(0.87)	(0.622)	(0.63)	(0.98)	(1.61)	(1.26)	1/4"NPT	-	-	-	-

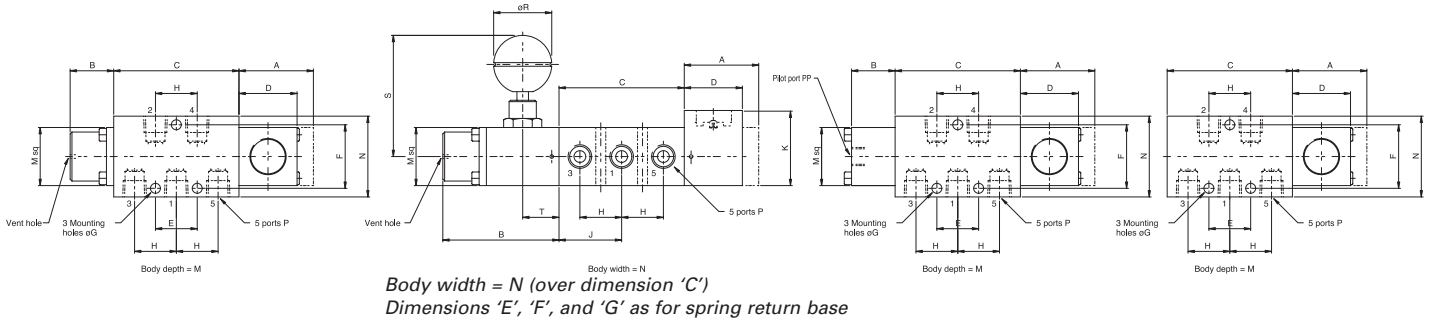
#### 5/2 Pilot Solenoid Operated - Valve Bases

**Spring Return**  
2526M23-VR2B\*\*

**Spring Return with Latch Lock**  
2526M232VR2B\*\* 2526M238VR2B\*\*

**Pilot Air Return**  
2526B13-VR2B\*\*

**Pilot Solenoid Return**  
2526B33-VR2B\*\*



Model Number	A	B	C	D	E	F	G	H	J	K	M	P	PP	R	S	T
2526M23-VR2B**	42	24	69	32	23	35	5.5	23	34.5	41	32	1/4"NPT	-	-	-	-
	(1.65)	(0.16)	(2.72)	(1.26)	(0.91)	(1.38)	(0.22)	(0.91)	(1.36)	(1.61)	(1.26)	1/4"NPT	-	-	-	-
2526M232VR2B**	42	64	69	32	23	35	5.5	23	34.5	41	32	1/4"NPT	-	32	64	20
	(1.65)	(2.52)	(2.72)	(1.26)	(0.91)	(1.38)	(0.22)	(0.91)	(1.36)	(1.61)	(1.26)	1/4"NPT	-	(1.26)	(2.52)	(0.79)
2526M238VR2B**	42	64	69	32	23	35	5.5	23	34.5	41	32	1/4"NPT	-	32	64	20
	(1.65)	(2.52)	(2.72)	(1.26)	(0.91)	(1.38)	(0.22)	(0.91)	(1.36)	(1.61)	(1.26)	1/4"NPT	-	(1.26)	(2.52)	(0.79)
2526B13-VR2B**	42	24	69	32	23	35	5.5	23	34.5	41	32	1/4"NPT	1/8"NPT	-	-	-
	(1.65)	(0.94)	(2.72)	(1.26)	(0.91)	(1.38)	(0.22)	(0.91)	(1.36)	(1.61)	(1.26)	1/4"NPT	1/8"NPT	-	-	-
2526B33-VR2B**	42	-	69	32	23	35	5.5	23	34.5	41	32	1/4"NPT	-	-	-	-
	(1.65)	-	(2.72)	(1.26)	(0.91)	(1.38)	(0.622)	(0.91)	(1.36)	(1.61)	(1.26)	1/4"NPT	-	-	-	-

# 1500 Direct Acting Valves

DIRECT ACTING VALVES • 1/4", 3/2, NPT (BSP)

1500 SERIES

1500 PNEUMATIC VALVES



## SOLENOID OPERATED

### General Description

Direct acting solenoid operated valves in stainless steel for use on gases and liquids.

- Solenoid options
- ATEX, UL, CSA

### Operating Medium

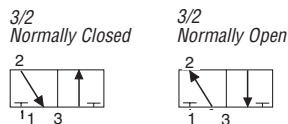
#### Gases

Filtered lubricated or non-lubricated air, inert gas, sweet (natural) gases. Sour gas option available (details on application)

#### Liquids

Low pressure hydraulic, mineral oil or water.

### Functional Symbols



### Technical Data

#### Ports

- 1/4" NPT (BSP option available)
- 1/8" NPT exhaust ports

#### Orifice

- 2.5mm

#### Working Temperature

- -20°C to +180°C (-4°F to +356°F)

#### Low temperature version

- -50°C (-58°F) (optional)

#### Working Pressure

- 12 bar (174 psi)

#### Maximum Flow

- 6 bar (87 psi), 1 bar (14.5 psi) differential
- 220 L/min (7.77 SCFM)

#### Cv (Kv)

- 0.22 (3.4)



### Construction Materials

- Stainless Steel AISI 316L to NACE MR-01-75 Body
- 316 Stainless Steel Spring
- Fluoroelastomer Seals

### Preferred Models

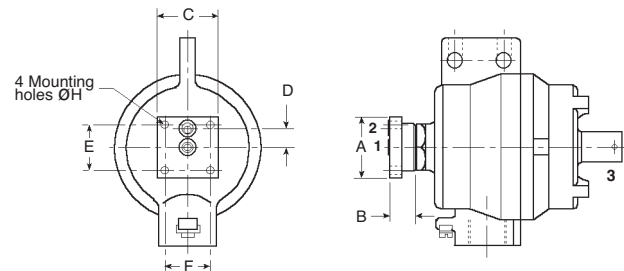
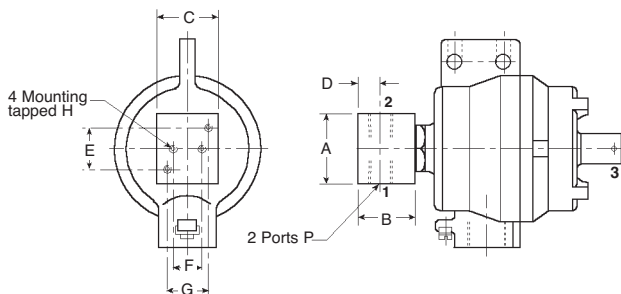
Model Number	Description	Weight kg (lbs)	Symbol
2323M23-SD2U * +	1/4" NPT 3/2 Direct acting solenoid, spring return	0.28 (0.62) + Sol	
1323M23-SD-F * +	Sub base mounted direct acting solenoid, sp return	0.06 (1.13) + Sol	

\* Specify solenoid type, + Specify solenoid voltage

### INSTALLATION DIMENSIONS mm (inches)

#### 3/2 Direct Acting Solenoid, Spring Return

#### Sub Base Mounted Direct Acting Solenoid, Spring Return



Model Number	A	B	C	D	E	F	G	H	P
2323M23-SD2U * +	38 (1.50)	30(1.18)	32(1.26)	12(0.47)	22(0.87)	15(0.59)	22(0.87)	M4 x 6 deep	1/4"NPT
1323M23-SD-F * +	32(1.26)	14(0.55)	32(1.26)	10(0.39)	24(0.94)	24(0.94)	-	4.2 (0.16)	-

### PILOT OPERATED

#### General Description

A range of compact 3/2 and 5/2 pilot operated spool valves in Stainless Steel for use on gases and liquids

- Compact
- 3/2 and 5/2 versions
- Meet NACE standard
- Stainless Steel internals

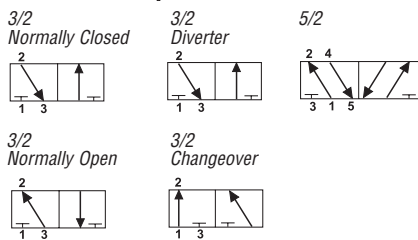
#### Operating Medium

##### Gases

Filtered lubricated or non-lubricated air, inert gas, sweet (natural) gases.

Sour gas option available (details on application)

#### Functional Symbols



#### Technical Data

##### Ports

- 1/4" NPT (BSP option available)
- 1/8" NPT pilot ports

##### Working Temperature

- -20°C to +180°C (-4°F to +356°F)

##### Low temperature version

- -50°C (-58°F) (optional)

##### Working Pressure (gases & liquids)

- 12 bar (174 psi) Maximum

##### Minimum Pilot Pressure

- 6.3 bar (90 psi) body pressure



	<b>3/2</b>	<b>5/2</b>
Spring Return	2.3 bar (33 psi)	3.5 bar (51 psi)
Pilot Return	1.3 bar (19 psi)	2.3 bar (33 psi)
Pilot Servo	0.8 bar (12 psi)	1.2 bar (17 psi)
Pilot Reset	3.0 bar (44 psi)	5.0 bar (72 psi)

##### Maximum Flow

- 6.3 bar (87 psi),  
1 bar (14.5 psi) differential
- 3/2 valves - 1000 L/min (35.3 SCFM)
- 5/2 valves - 1200 L/min (42.4 SCFM)

##### Cv (Kv)

- 3/2 valves - 1.0 (15)
- 5/2 valves - 1.2 (17)

##### Construction Materials

- Stainless Steel AISI 316L to NACE MR-01-75 Body
- Stainless Steel AISI 316L to NACE MR-01-75 Spool
- 316 Stainless Steel Spring
- Fluoroelastomer Seals

### Preferred Models

Model Number	Description	Weight kg (lbs)	Symbol
2326M21-VR2B	1/4" NPT 3/2 Pilot operated, spring return	0.55 (1.21)	
2326M212VR2B	1/4" NPT 3/2 Pilot operated, spring return with latch lock, manual reset	0.93 (2.05)	
2326M218VR2B	1/4" NPT 3/2 Pilot operated, spring return with reverse latch lock, manual reset	0.93 (2.05)	
2326B11-VR2B	1/4" NPT 3/2 Pilot operated, pilot return	0.70 (1.54)	
2526M21-VR2B	1/4" NPT 5/2 Pilot operated, spring return	1.00 (2.20)	
2526M212VR2B	1/4" NPT 5/2 Pilot operated, pilot return with latch lock, manual reset	1.38 (3.04)	
2526M218VR2B	1/4" NPT 5/2 Pilot operated, spring return with reverse latch lock, manual reset	1.38 (3.04)	
2526B11-VR2B	1/4" NPT 5/2 Pilot operated, pilot return	1.00 (2.20)	

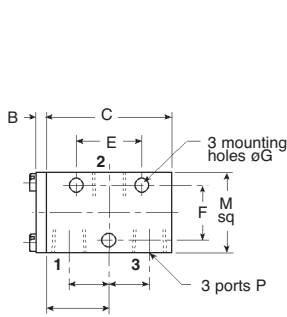


### PILOT OPERATED

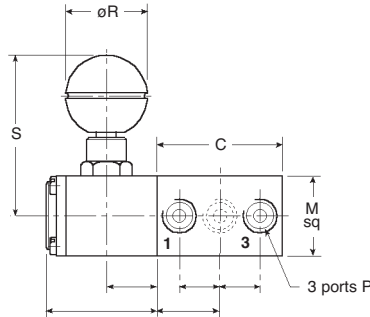
#### INSTALLATION DIMENSIONS mm (inches)

#### 3/2 Pilot Operated, Spring or Pilot Return

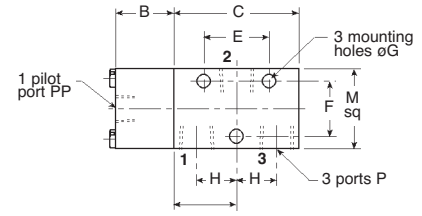
*Pilot Operated - Spring Return*  
2326M21-VR2B



*Pilot Operated - Spring Return with latch lock*  
2326M212VR2B, 2326M218VR2B



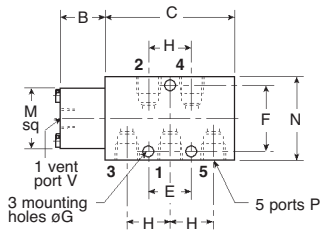
*Pilot Operated - Pilot Return*  
2326B11-VR2B



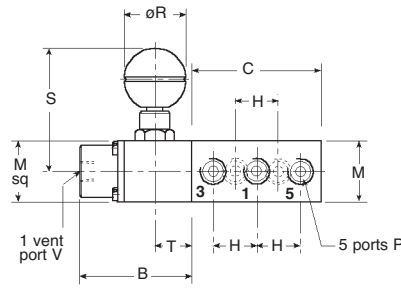
Model Number	A	D	K	L	P	PP
2326M21-VR2B	78 (3.07)	24 (0.94)	-	-	1/4" NPT 1/4" NPT	1/8" NPT 1/8" NPT
2326B11-VR2B	98 (3.86)	24 (0.94)	-	-	1/4" NPT 1/4" NPT	1/8" NPT 1/8" NPT
2326M212VR2B	118 (4.65)	24 (0.94)	-	-	1/4" NPT 1/4" NPT	1/8" NPT 1/8" NPT
2326M218VR2B	118 (4.65)	24 (0.94)	-	-	1/4" NPT 1/4" NPT	1/8" NPT 1/8" NPT

#### 5/2 Pilot Operated, Spring or Pilot Return

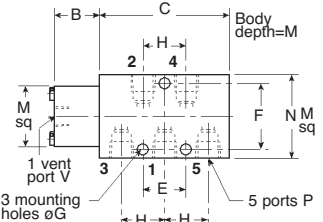
*Pilot Operated - Spring Return*  
2526M21-VR2B



*Pilot Operated - Spring Return with Latch Lock*  
2526M212VR2B, 2526M218VR2B



*Pilot Operated - Pilot Return*  
2526B11-VR2B



Model Number	A	D	K	L	P	PP	V
2526M21-VR2B	117 (4.61)	24 (0.94)	-	-	1/4" NPT 1/4" NPT	1/8" NPT 1/8" NPT	1/8" NPT 1/8" NPT
2526B11-VR2B	117 (4.61)	24 (0.94)	-	-	1/4" NPT 1/4" NPT	1/8" NPT 1/8" NPT	-
2526M212VR2B	157 (6.18)	24 (0.94)	-	-	1/4" NPT 1/4" NPT	1/8" NPT 1/8" NPT	-
2526M218VR2B	157 (6.18)	24 (0.94)	-	-	1/4" NPT 1/4" NPT	1/8" NPT 1/8" NPT	-

**MECHANICALLY OPERATED (ROLLER/LEVER, ROLLER, PLUNGER)**

**General Description**

A range of compact 3/2 and 5/2 spool valves in Stainless Steel for use on gases.

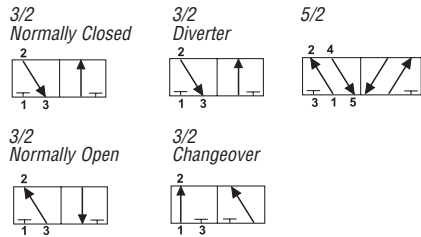
- Closed centre
- All 316L
- Compact

**Operating Medium**

**Gases**

Filtered non-lubricated air, inert, sweet (natural) gases.

**Functional Symbols**



**Technical Data**

**Ports**

- 1/4" NPT (BSP option available)

**Working Temperature**

- -20°C to +75°C (-4°F to +167°F)
- Low temperature version
- -50°C (-58°F) (optional)

**Working Pressure**

- 12 bar (174 psi) maximum

**Maximum Flow**

- 6 bar (87 psi), 1 bar (14.5 psi) differential
- 3/2 valves - 1000 L/min (35.3 SCFM)
- 5/2 valves - 1200 L/min (42.4 SCFM)

**Cv (Kv)**

- 3/2 valves - 1.0 (15)
- 5/2 valves - 1.2 (17)

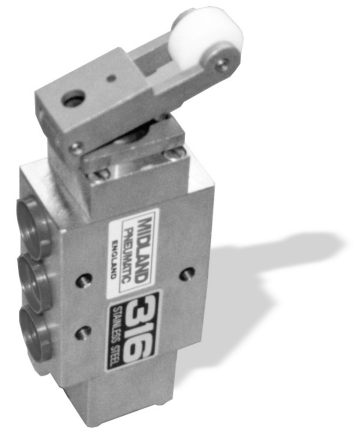
**Operating Force**

- 10 bar (145 psi) differential

	3/2	5/2
Roller/lever	35 N (8 lbf)	40 N (9 lbf)
Roller	76 N (17 lbf)	89 N (20 lbf)
Plunger	76 N (17 lbf)	89 N (20 lbf)

**Construction Materials**

- Stainless Steel AISI 316L to NACE MR-01-75 Body
- Stainless Steel AISI 316L to NACE MR-0175 Spool
- 316 Stainless Steel Spring
- Fluoroelastomer Seals
- 316 Stainless Steel Roller/Lever



**Preferred Models**

Model Number	Description	Weight kg (lbs)	Symbol
2326M28-VR2B	1/4" NPT 3/2 Roller/lever operated, spring return	0.55 (1.21)	
2326M2CVR2B	1/4" NPT 3/2 Roller operated, spring return	0.48 (1.06)	
2326M26-VR2B	1/4" NPT 3/2 Plunger operated, spring return	0.46 (1.01)	
2526M28-VR2B	1/4" NPT 5/2 Roller/lever operated, spring return	1.00 (2.20)	
2526M2CVR2B	1/4" NPT 5/2 Roller operated, spring return	1.12 (2.47)	
2526M26-VR2B	1/4" NPT 5/2 Plunger operated, spring return	1.10 (2.42)	

For panel mounted versions of roller operated and plunger operated models, substitute code 5 for - in position 8. (i.e. 2326M26-VR2B becomes 2326M265VR2B, 2526M2CVR2B becomes 2526M2C5-ER2B, 2526M26-VR2B becomes 2526M265 VR2B)

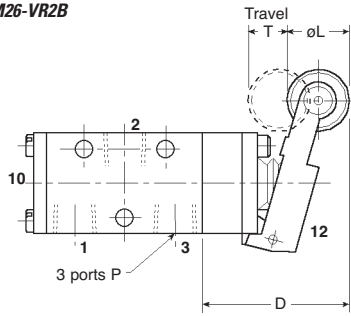


### MECHANICALLY OPERATED (ROLLER/LEVER, ROLLER, PLUNGER)

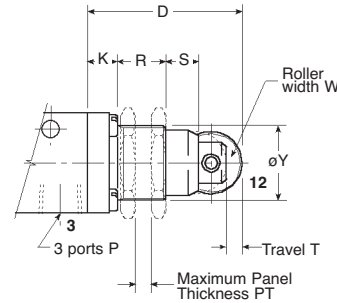
#### INSTALLATION DIMENSIONS mm (inches)

#### 3/2 Roller/Lever, Roller, Plunger Operated, Spring Return

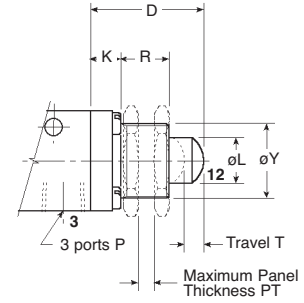
**Roller/Lever Operated**  
2326M26-VR2B



**Roller Operated**  
2326M2C-VR2B, 2326M2C5VR2B



**Plunger Operated**  
2326M26-VR2B, 2326M265VR2B



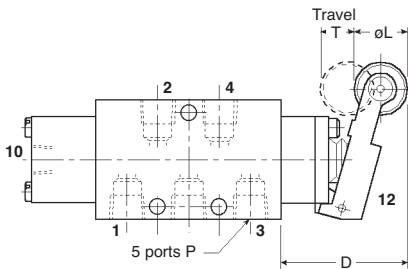
Travel T = 11.75 (0.46) to operate, 12.5 (0.49) maximum  
For basic valve dimensions see 3/2 spring return bases on page 1500.7

Model Number	D	K	L	P	R	S	T	V	W	X	PT
2326M28-VR2B	47 (1.85)	-	20 (0.79)	1/4" NPT 1/4" NPT	-	-	12.5 (0.49)	22 (0.87)	-	37 (1.46)	-
2326M2C-VR2B	50 (1.97)	10 (0.39)	-	1/4" NPT 1/4" NPT	15 (0.59)	10.5 (0.41)	5 (0.20)	-	5 (0.20)	-	5 (0.20)
2326M26-VR2B	35 (1.38)	10 (0.39)	13 (0.51)	1/4" NPT 1/4" NPT	15 (0.59)	-	5 (0.20)	-	-	-	5 (0.20)

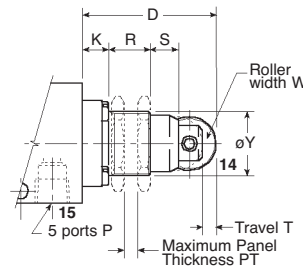
Panel mounting thread øY is 15/16" dia. x 26 TPI Whit Form.  
Panel mounted models 2326M2C5VR2B and 2326M265VR2B are supplied with 2 off locknuts as indicated.

#### 5/2 Roller/Lever, Roller, Plunger Operated, Spring Return

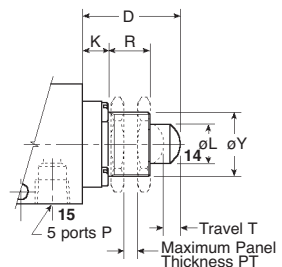
**Roller/Lever Operated**  
2526M28-VR2B



**Roller Operated**  
2526M2C-VR2B, 2526M2C5VR2B



**Plunger Operated**  
2526M26-VR2B, 2526M265VR2B



Travel T = 14.5 (0.57) to operate, 15.25 (0.60) maximum  
For basic valve dimensions see 5/2 spring return bases on page 1500.7

Model Number	D	K	L	P	R	S	T	V	W	X	PT
2526M28-VR2B	51 (2.00)	-	20 (0.79)	1/4" NPT 1/4" NPT	-	-	15.25 (0.60)	22 (0.87)	-	37 (1.46)	-
2526M2C-VR2B	50 (1.97)	10 (0.39)	-	1/4" NPT 1/4" NPT	15 (0.59)	10.5 (0.41)	6 (0.24)	-	5 (0.20)	-	5 (0.20)
2526M26-VR2B	35 (1.38)	10 (0.39)	13 (0.51)	1/4" NPT 1/4" NPT	15 (0.59)	-	6 (0.24)	-	-	-	5 (0.20)

Panel mounting thread øY is 15/16" dia. x 26 TPI Whit Form.  
Panel mounted models 2526M2C5VR2B and 2526M265VR2B are supplied with 2 off locknuts as indicated.

## MANUALLY OPERATED (PAD)

### General Description

A range of compact 3/2 and 5/2 manually operated spool valves in Stainless Steel for use on gases.

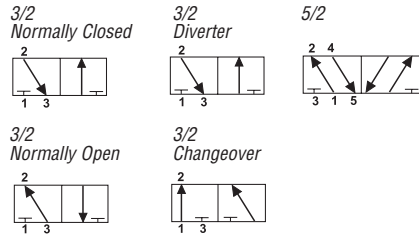
- Panel mounted option
- Closed centre
- Compact

### Operating Medium

#### Gases

Filtered non-lubricated air, inert, sweet (natural) gases.

### Functional Symbols



### Technical Data

#### Ports

- 1/4" NPT (*BSP option available*)
- 1/8" NPT pilot ports

#### Working Temperature

- -20°C to +180°C (-4°F to +356°F)

#### Low temperature version

- -50°C (-58°F) (optional)

#### Working Pressure (gases & liquids)

- 12 bar (174 psi) Maximum

#### Maximum Flow

- 6 bar (87 psi), 1 bar (14.5 psi) differential
- 3/2 valves - 1000 L/min (35.3 SCFM)
- 5/2 valves - 1200 L/min (42.4 SCFM)

#### Cv (Kv)

- 3/2 valves - 1.0 (15)
- 5/2 valves - 1.2 (17)

#### Operating Force

- 10 bar (145 psi) differential
- 3/2 valves 76 N (17 lbf)
- 5/2 valves 89 N (20 lbf)

#### Construction Materials

- Stainless Steel AISI 316L to NACE MR-01-75 Body
- Stainless steel AISI 316L to NACE MR-01-75 Spool
- 316 Stainless Steel Spring
- Fluoroelastomer Seals
- Phenolic Resin Pad



### Preferred Models

Model Number	Description	Weight kg (lbs)	Symbol
2326M27-VR2B	1/4" NPT 3/2 Pad operated, spring return	0.50 (1.10)	
2326B77-VR2B	1/4" NPT 3/2 Pad operated, push - pull	0.61 (1.34)	
2326B773VR2B	1/4" NPT 3/2 Pad operated, push - pull with detent	0.63 (1.39)	
2326B17-VR2B	1/4" NPT 3/2 Pad operated, pilot air return	0.63 (1.39)	
2526M27-VR2B	1/4" NPT 5/2 Pad operated, spring return	0.95 (2.09)	
2526B77-VR2B	1/4" NPT 5/2 Pad operated, push - pull	0.93 (2.05)	
2526B773VR2B	1/4" NPT 5/2 Pad operated, push - pull with detent	0.95 (2.09)	
2526B17-VR2B	1/4" NPT 5/2 Pad operated, pilot air return	0.95 (2.09)	

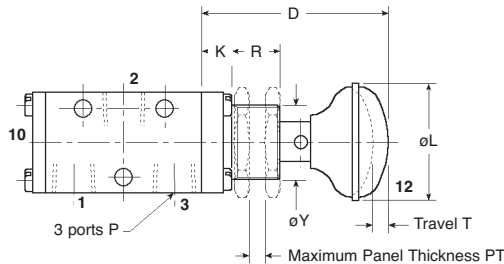
For panel mounted versions, substitute code 5 for - in position 8.

### MANUALLY OPERATED PAD

#### INSTALLATION DIMENSIONS mm (inches)

#### 3/2 Pad Operated, Spring Return

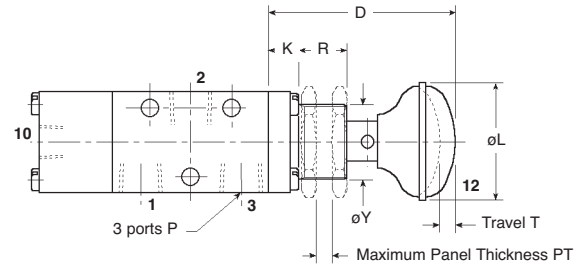
Pad Operated  
2326M27-VR2B, 2326M275VR2B



For basic valve dimensions, see 3/2 spring return bases on page 1500.7

#### 3/2 Pad Operated (Push-Pull) 3/2 Pad Operated, Pilot Air Return

Pad Operated (Push-Pull) 2326B77VR2B, 2326MB775VR2B  
Pad Operated (Push-Pull) 2326B773VR2B  
Pad Operated, Pilot Air Return 2326B17VR2B, 2326B175VR2B



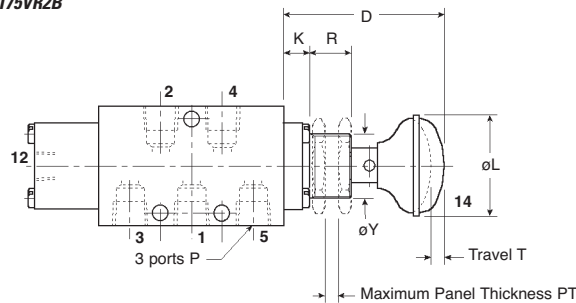
For basic valve dimensions, see 3/2 spring return bases on page 1500.7

Model Number	D	K	L	P	R	T	PT
2326M27-VR2B	60 (2.36)	10 (0.39)	38 (1.50)	1/4" NPT 1/4" NPT	15 (0.59)	5 (0.20)	5 (0.20)
2326B77-VR2B	60 (2.36)	10 (0.39)	38 (1.50)	1/4" NPT 1/4" NPT	15 (0.59)	5 (0.20)	5 (0.20)
2326B773VR2B	60 (2.36)	10 (0.39)	38 (1.50)	1/4" NPT 1/4" NPT	15 (0.59)	5 (0.20)	5 (0.20)
2326B17-VR2B	60 (2.36)	10 (0.39)	38 (1.50)	1/4" NPT 1/4" NPT	15 (0.59)	5 (0.20)	5 (0.20)

Panel mounting thread  $\phi Y$  is 15/16" dia. x 26 TPI Whit Form. Panel mounted models 2326M275VR2B, 2326B775VR2B and 2326B175VR2B are supplied with 2 off locknuts as indicated.

#### 5/2 Pad Operated, Spring Return, 5/2 Pad Operated (Push-Pull), 5/2 Pad Operated, Pilot Air Return

Pad Operated (Push-Pull) 2526M27-VR2B, 2526M275VR2B  
Pad Operated (Push-Pull) 2526B77-VR2B, 2526B775VR2B  
Pad Operated (Push-Pull) with detent 2526B773VR2B  
Pad Operated, pilot air return 2526B17-VR2B, 2526B175VR2B



For basic valve dimensions, see 5/2 spring return or 5/2 pilot return bases on page 1500.7

Model Number	D	K	L	P	R	T	PT
2526M27-VR2B	60 (2.36)	10 (0.39)	38 (1.50)	1/4" NPT 1/4" NPT	15 (0.59)	6 (0.24)	5 (0.20)
2526B77-VR2B	60 (2.36)	10 (0.39)	38 (1.50)	1/4" NPT 1/4" NPT	15 (0.59)	6 (0.24)	5 (0.20)
2526B773VR2B	60 (2.36)	10 (0.39)	38 (1.50)	1/4" NPT 1/4" NPT	15 (0.59)	6 (0.24)	5 (0.20)
2526B17-VR2B	60 (2.36)	10 (0.39)	38 (1.50)	1/4" NPT 1/4" NPT	15 (0.59)	6 (0.24)	5 (0.20)

Panel mounting thread  $\phi Y$  is 15/16" dia. x 26 TPI Whit Form. Panel mounted models 2526M275VR2B, 2526B775VR2B and 2526B175VR2B are supplied with 2 off locknuts as indicated.

## MANUALLY OPERATED (PAD) AND PILOT OPERATED

### General Description

A range of compact 3/2 and 5/2 manually operated spool valves in stainless steel for use on liquids and gases.

- Panel mounted option
- Closed centre
- Compact

### Operating Medium

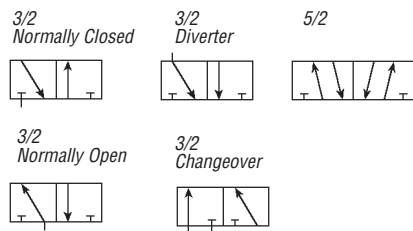
#### Gases

- Filtered lubricated or non-lubricated air, inert gas, sweet (natural) gases. Sour gas option available. (details on application)

#### Liquids

- Low pressure hydraulic, mineral oil or water

### Functional Symbols



### Technical Data

#### Ports

- 1/4" NPT (BSP option available)
- 1/8" NPT pilot ports

#### Working Temperature

- -20°C to +180°C (-4°F to +356°F)
- Low temperature version
- -50°C (-58°F) (optional)

#### Working Pressure

- (gases & liquids)
- 12 bar (174 psi) Maximum

#### Working Pressure

- (gases and liquids)
- 12 bar (174 psi)

#### Operating Force

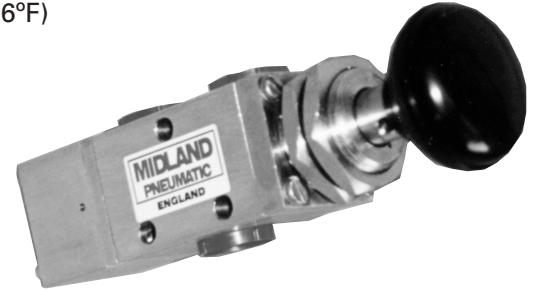
- 10 bar (145 psi) body pressure
- 3/2 valves 76 N (17 lbf)
- 5/2 valves 89 N (20 lbf)

#### Cv (Kv)

- 3/2 valves - 1.0 (15)
- 5/2 valves - 1.2 (17)

#### Maximum Flow

- 6 bar (87 psi), 1 bar (14.5 psi) differential
- 3/2 valves - 1000 L/min (35.3 SCFM)
- 5/2 valves - 1200 L/min (42.4 SCFM)



### Construction Materials

- Stainless Steel AISI 316L to NACE MR-01-75 Body
- Stainless Steel AISI 316L to NACE MR-01-75 Spool
- 316 Stainless Steel Spring
- Fluoroelastomer Seals
- Phenolic Resin Pad

### Preferred Models

Model Number	Description	Weight kg (lbs)	Symbol
2326M2F-VR2B	1/4" NPT 3/2 Pad or pilot operated, spring return	0.65 (1.54)	
2526M2F-VR2B	1/4" NPT 5/2 Pad or pilot operated, spring return	1.00 (2.20)	

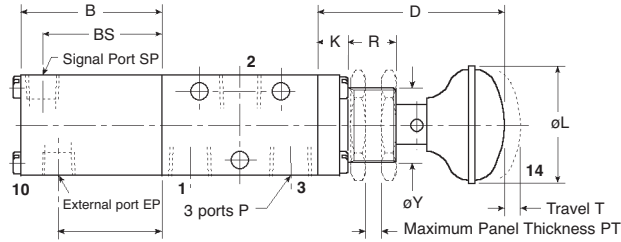
These models are supplied with 2 off locknuts for mounting.

## MANUALLY OPERATED (PAD) AND PILOT LATCH

### INSTALLATION DIMENSIONS mm (inches)

#### 3/2 Pad or Pilot Operated, Spring Return

2326M2F-VR2B



For basic valve dimensions, see 3/2 pilot air return bases on page 1500.7

Model Number	B	D*	K	L	P	R	T	PT
2326M2F-VR2B	34	60	10	38	1/4" NPT	15	5	5
	(1.34)	(2.36)	(0.39)	(1.50)	1/4" NPT	(0.59)	(0.20)	(0.20)

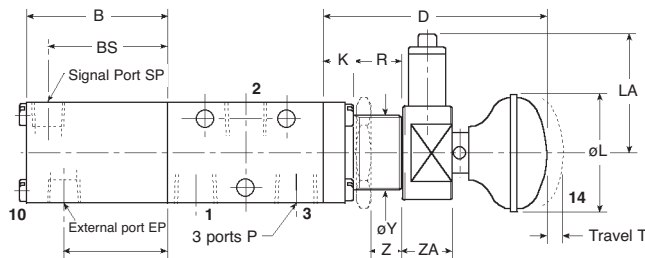
Panel mounting thread øY is 15/16" dia. x 26 TPI Whit Form.

Panel mounted model 2326M2F5VR2B, 2526M2F5VR2B are supplied with 2 off locknuts for mounting.

For above model in Brass specify 'R' in position 9 (in place of 'V')

#### 5/2 Pad or Pilot Operated, Spring Return

2526M2F-VR2B



For basic valve dimensions, see 3/2 pilot air return bases on page

Model Number	B	D*	K	L	P	R	T	PT
2526M2F-VR2B	34	60	10	38	1/4" NPT	15	5	5
	(1.34)	(2.36)	(0.39)	(1.50)	1/4" NPT	(0.59)	(0.20)	(0.20)

Panel mounting thread øY is 15/16" dia. x 26 TPI Whit Form.

Panel mounted model 2326M2F5VR2B, 2526M2F5VR2B are supplied with 2 off locknuts for mounting.

For above model in Brass specify 'R' in position 9 (in place of 'V')

## MANUALLY OPERATED (PAD) AND PILOT LATCH

### INSTALLATION DIMENSIONS mm (inches)

#### General Description

A range of compact 3/2 manually operated spool valves in Stainless Steel for use on gases.

- Mechanical latch
- Pilot latch

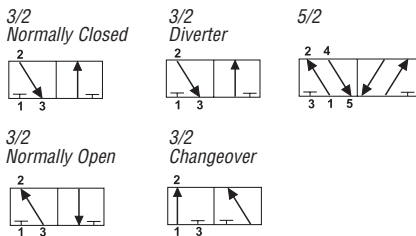


#### Operating Medium

##### Gases

Filtered non-lubricated, air, inert, sweet (natural) gases.

#### Functional Symbols



#### Technical Data

##### Ports

- 1/4" NPT (BSP option available)

##### Working Temperature

- -20°C to +180°C (-4°F to +356°F)

##### Low temperature version

- -50°C (-58°F) (optional)

##### Working Pressure (gases and liquids)

- 10 bar (145 psi) maximum

#### Maximum Flow

- 6 bar (87 psi), 1 bar (14.5 psi) differential
- 3/2 valves - 1000 L/min (35.3 SCFM)

#### Cv (Kv)

- 3/2 valves - 1.0 (15)

#### Operating Force

- 10 bar (145 psi) body pressure Button Operated
- 3/2 valves - 76 N (17 lbf)
- 5/2 valves - 89 N (20 lbf)

#### Construction Materials

- Stainless Steel AISI 316L to NACE MR-01-75 Body
- Stainless Steel AISI 316L to NACE MR-01-75 Spool
- 316 Stainless Steel Spring
- Fluoroelastomer Seals

#### Function

##### PAD OPERATED, SPRING RETURN WITH PILOT LATCH

If a pilot pressure of 1.5 to 10 bar (21 to 145 psi) is present at pilot ports when the knob is pulled out, the pilot pressure will hold the valve in the operated position against the return spring. If the pilot pressure falls to 0.5 bar (7 psi) or less, the valve will be reset to its unoperated position. The valve cannot be operated by pilot pressure alone, manual operation must take place first.

##### PAD OPERATED, SPRING RETURN WITH PILOT LATCH AND MANUAL LATCH PIN

If a pilot pressure of 1.5 to 10 bar (21 to 145 psi) is present at pilot ports when the knob is pulled out, the pilot pressure will hold the valve in the operated position against the return spring. If the pilot pressure falls to 2 to 10 bar (29 to 145 psi) this will simultaneously allow the latch to release whilst holding the valve in the operated position. The valve will reset to its unoperated position. The valve cannot be operated by pilot pressure alone, manual operation must take place first.

### Preferred Models

Model Number	Description	Weight kg (lbs)	Symbol
2326M276VR2B	1/4" NPT 3/2 Pad operated, spring return with pilot latch	0.75 (1.65)	
2326M2JVR2B	1/4" NPT 3/2 Pad operated, spring return, pilot latch, manual pin	0.85 (1.87)	
2326M27AVR2B	1/4" NPT 3/2 Pad operated, spring return, pilot latch, manual pin	0.85 (1.87)	
2326M27HVR2B	1/4" NPT 3/2 Pad operated, spring return, pilot latch, manual pin	0.85 (1.87)	
2526M276VR2B	1/4" NPT 3/2 Pad operated, spring return, pilot latch, manual pin	0.85 (1.87)	
2526M27JVR2B	1/4" NPT 3/2 Pad operated, spring return, pilot latch, manual pin	0.85 (1.87)	
2526M27AVR2B	1/4" NPT 3/2 Pad operated, spring return, pilot latch, manual pin	0.85 (1.87)	
2526M27HVR2B	1/4" NPT 3/2 Pad operated, spring return, pilot latch, manual pin	0.85 (1.87)	

These models are supplied with 2 off locknuts for mounting.

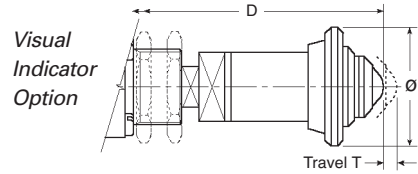
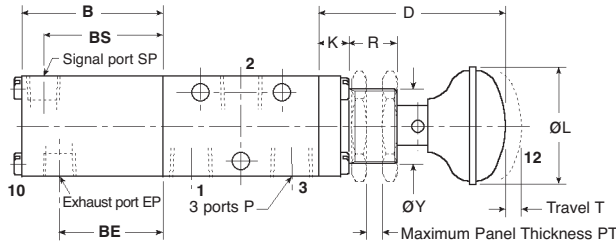


### MANUALLY OPERATED (PAD)

#### INSTALLATION DIMENSIONS mm (inches)

#### 3/2 Pad Operated, Spring Return with Pilot Latch (Visual Indicator Option).

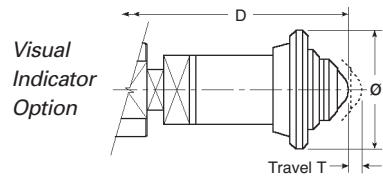
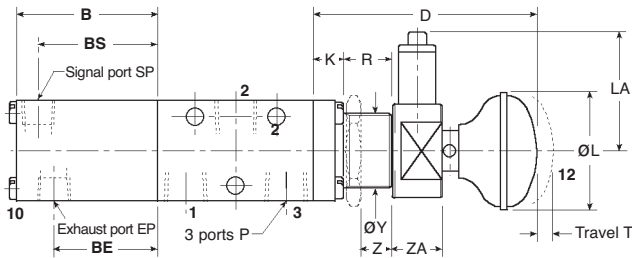
2326M276VR2B (Visual Indicator Option 2326M27JVR2B)



For basic valve dimensions, see 3/2 spring return bases on page 1500.7

#### 3/2 Pad Operated, Spring Return with Pilot Latch and Manual Latch Pin (Visual Indicator Option).

2326M27AVR2B (Visual Indicator Option 2326M27HVR2B)



For basic valve dimensions, see 3/2 spring return bases on page 1500.7

Model Number	B	BE	BS	D*	K	L	LA	P	SP	EP	R	T	PT	Z	ZA
2326M276VR2B	45	33	38	60	10	38	-	1/4" NPT	1/8" NPT	1/8" NPT	15	5	5	-	-
	(1.77)	(1.30)	(1.50)	(2.36)	(0.39)	(1.50)	-	1/4" NPT	1/8" NPT	1/8" NPT	(0.59)	(0.20)	(0.20)	-	-
2326M27AVR2B	45	33	38	72.5	10	38	38	1/4" NPT	1/8" NPT	1/8" NPT	15	5	-	10	16
	(1.77)	(1.30)	(1.50)	(2.86)	(0.39)	(1.50)	(1.50)	1/4" NPT	1/8" NPT	1/8" NPT	(0.59)	(0.20)	-	(0.39)	(0.63)
2326M27JVR2B	45	33	38	89/105	10	38	38	1/4" NPT	1/8" NPT	1/8" NPT	15	5	-	10	16
	(1.77)	(1.30)	(1.50)	(3.50)/(4.13)	(0.39)	(1.50)	(1.50)	1/4" NPT	1/8" NPT	1/8" NPT	(0.59)	(0.20)	-	(0.39)	(0.63)

Panel mounting thread øY is 15/16" dia. x 26 TPI Whit Form.

Visual Indicator - Red (Off) / Green (On)

\* D dimension for visual indicator option code 'J' = 89 (3.50), code 'H' = 105 (4.13). These models are supplied with 2 off locknuts for mounting.

## MANUALLY OPERATED (BUTTON), MANUALLY OPERATED (KEY)

### General Description

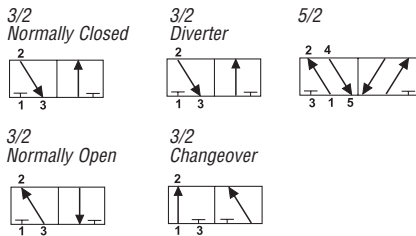
A range of compact 3/2 and 5/2 manually operated spool valves in Stainless Steel for use on gases.

- Unique key
- Fully guarded button
- Closed centre

### Operating Medium

Filtered non-lubricated air, inert, sweet (natural) gases.

### Functional Symbols



### Technical Data

#### Ports

- 1/4" NPT (BSP option available)

#### Working Temperature

- -20°C to +180°C (-4°F to +356°F)

#### Working Pressure (gases and liquids)

- 10 bar (145 psi) maximum

#### Operating Force

- 10 bar (145 psi) body pressure
- Button Operated

- 3/2 valves - 76 N (17 lbf)
- 5/2 valves - 89 N (20 lbf)

#### Maximum Flow

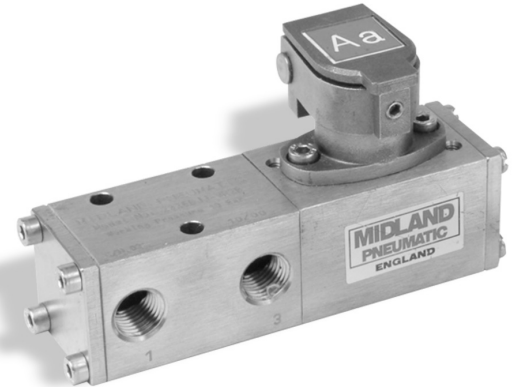
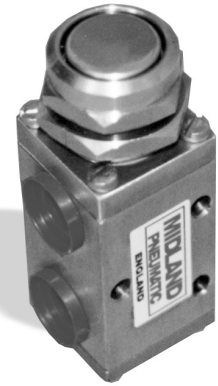
- 6 bar (87 psi), 1 bar (14.5 psi) differential
- 3/2 valves - 1000 L/min (35.3 SCFM)
- 5/2 valves - 1200 L/min (42.4 SCFM)

#### Cv (Kv)

- 3/2 valves - 1.0 (15)
- 5/2 valves - 1.2 (17)

#### Construction Materials

- Stainless Steel AISI 316L to NACE MR-01-75 Body
- Stainless Steel AISI 316L to NACE MR-01-75 Spool
- 316 Stainless Steel Spring
- Fluoroelastomer Seals



### Preferred Models

Model Number	Description	Weight kg (lbs)	Symbol
2326M2G-VR2B	1/4" NPT 3/2 Button operated, spring return	0.50 (1.10)	
2326M2GGVR2B	1/4" NPT 3/2 Guarded button operated, spring return	0.55 (1.21)	
2326BRR-VR2B	1/4" NPT 3/2 Key operated (positive). Key removable in unoperated position	0.97 (2.14)	
2326M2R-VR2B	1/4" NPT 3/2 Key operated (spring return). Key removable in unoperated position	0.97 (2.14)	
2326BRK-VR2B	1/4" NPT 3/2 Key operated (positive). Key removable in both positions	0.97 (2.14)	
2526BRR-VR2B	1/4" NPT 5/2 Key operated (positive). Key removable in unoperated position	1.47 (3.24)	
2526M2R-VR2B	1/4" NPT 5/2 Key operated (spring return). Key removable in unoperated position	1.47 (3.24)	
2526BRK-VR2B	1/4" NPT 5/2 Key operated (positive). Key removable in both positions	1.47 (3.24)	

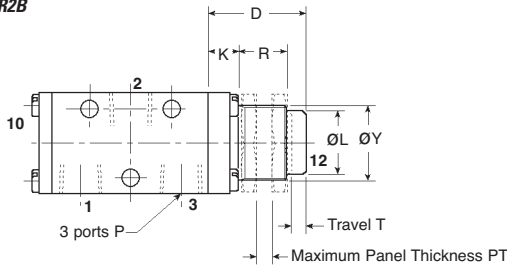
For panel mounted version of model 2326M2G-VR2B, substitute code 5 for - in position 8. All other models are supplied with panel mounting facilities.

## MANUALLY OPERATED (BUTTON), MANUALLY OPERATED (KEY)

### INSTALLATION DIMENSIONS mm (inches)

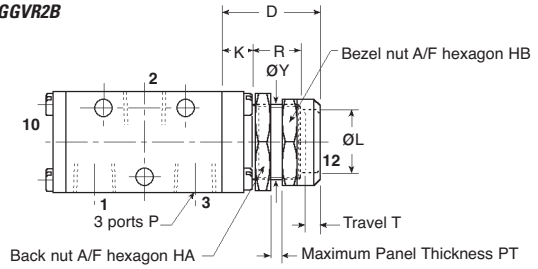
#### 3/2 Button Operated, Spring Return

2326M2G-VR2B



#### 3/2 Button Operated, Spring Return

2326M2GGVR2B

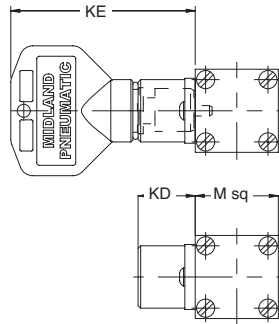


Model Number	D	K	L	P	R	T	PT	HA	HB
2326M2G-VR2B	31 (1.22)	10 (0.39)	20 (0.79)	1/4" NPT 1/4" NPT	15 (0.59)	5 (0.20)	5 (0.20)	-	-
2326M2GGVR2B	31 (1.22)	10 (0.39)	20 (0.79)	1/4" NPT 1/4" NPT	15 (0.59)	5 (0.20)	4 (0.16)	30.5 (1.20)	28 (1.10)

Panel mounting thread  $\phi Y$  is 15/16" dia x 26 TPI Whit Form

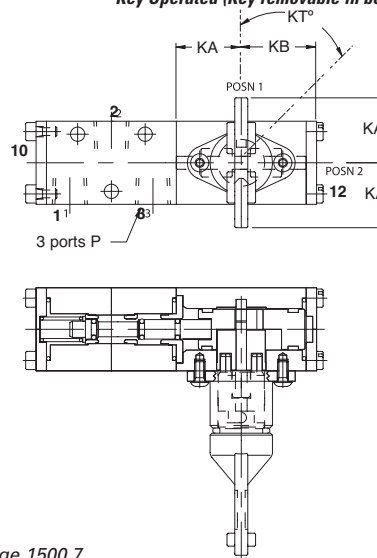
#### 3/2 Key Operated

Key Operated (Key retained in operated position) 2326BRR-VR2B  
 Key Operated, spring return (Key retained in ordered position) 2326M2R-VR2B  
 Key Operated (Key removable in both positions) 2326BRK-VR2B



#### 5/2 Key Operated

Key Operated (Key retained in operated position) 2526BRR-VR2B  
 Key Operated, spring return (Key retained in ordered position) 2526M2R-VR2B  
 Key Operated (Key removable in both positions) 2526BRK-VR2B



For basic valve dimensions see 3/2 and 5/2 spring return bases on page 1500.7

Model Number	P	M	KA	KB	KD	KE	KT
2326BRR-VR2B	1/4" NPT 1/4" NPT	32 (1.26)	25 (0.98)	29 (1.14)	22 (1.14)	71 (2.60)	90° 90°
2326M2R-VR2B	1/4" NPT 1/4" NPT	32 (1.26)	25 (0.98)	29 (1.14)	22 (1.14)	71 (2.60)	60° 60°
2326BRKVR2B	1/4" NPT 1/4" NPT	32 (1.26)	25 (0.98)	29 (1.14)	22 (1.14)	71 (2.60)	90° 90°
2526BRR-VR2B	1/4" NPT 1/4" NPT	32 (1.26)	25 (0.98)	29 (1.14)	22 (1.14)	71 (2.60)	90° 90°
2526M2R-VR2B	1/4" NPT 1/4" NPT	32 (1.26)	25 (0.98)	29 (1.14)	22 (1.14)	71 (2.60)	60° 60°
2526BRKVR2B	1/4" NPT 1/4" NPT	32 (1.26)	25 (0.98)	29 (1.14)	22 (1.14)	71 (2.60)	90° 90°

## MANUALLY OPERATED (SWITCH), MANUALLY OPERATED (LEVER)

### General Description

A range of compact 3/2 and 5/2 manually operated spool valves in Stainless Steel for use on gases.

- Panel mounted switch operated
- Closed centre
- Compact

### Operating Medium

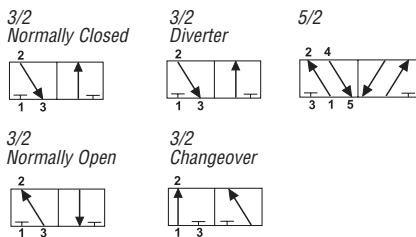
#### Gases

Filtered non-lubricated air, inert, sweet (natural) gases.

#### Liquids

Low pressure hydraulic, mineral oil or water.

### Functional Symbols



### Technical Data

#### Ports

- 1/4" NPT (*BSP option available*)
- 1/8" NPT vent port

#### Working Temperature

- -20°C to +180°C (-4°F to +356°F)
- Low temperature version*
- -50°C (-58°F) (optional)

#### Working Pressure

- 12 bar (174 psi) maximum

#### Maximum Flow

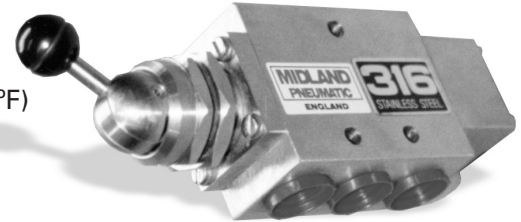
- 6 bar (87 psi), 1 bar (14.5 psi) differential
- 3/2 valves - 1000 L/min (35.3 SCFM)
- 5/2 valves - 1200 L/min (42.4 SCFM)

#### Cv (Kv)

- 3/2 valves - 1.0 (15)
- 5/2 valves - 1.2 (17)

#### Operating Force

- 10 bar (145 psi) body pressure
- Switch Operated
- 3/2 valves - 13 N (2.9 lbf)
- 5/2 valves - 16 N (3.5 lbf)



### Construction Materials

- Stainless Steel AISI 316L to NACE MR-01-75 Body
- Stainless Steel AISI 316L to NACE MR-01-75 Spool
- 316 Stainless Steel Spring
- Fluoroelastomer Seals

### Preferred Models

Model Number	Description	Weight kg (lbs)	Symbol
2326B00-VR2B	1/4" NPT 3/2 Switch operated, spring return with detent	0.80 (1.76)	
2326B553VR2B	1/4" NPT 3/2 Lever operated, with detent	0.80 (1.76)	
2326M25-VR2B	1/4" NPT 3/2 Lever operated, spring return	0.65 (1.43)	
2526B00-VR2B	1/4" NPT 5/2 Switch operated, spring return with detent	1.10 (2.43)	
2526B553VR2B	1/4" NPT 5/2 Lever operated, with detent	1.10 (2.43)	
2526M25-VR2B	1/4" NPT 5/2 Lever operated, spring return	1.10 (2.43)	

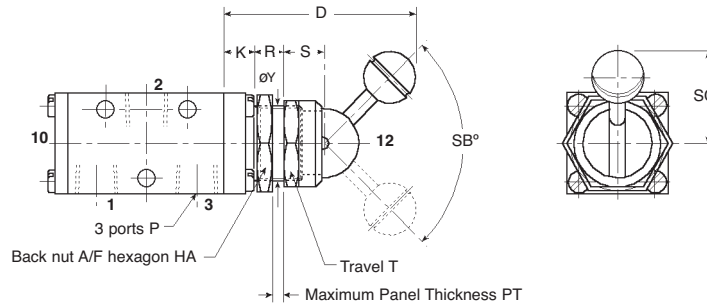
Models 2326B00-VR2B and 2526B00-VR2B are supplied with 2 off locknuts for mounting.

### MANUALLY OPERATED (SWITCH), MANUALLY OPERATED (LEVER)

#### INSTALLATION DIMENSIONS mm (inches)

#### 3/2 Switch Operated, Spring Return with Detent

2326B00-VR2B  
2326B20-VR2B



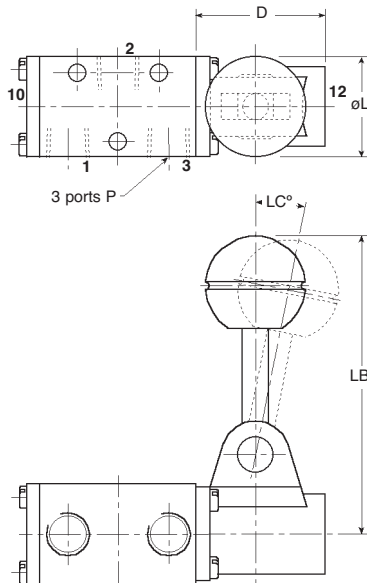
For basic valve dimensions, see 3/2 spring return bases on page 1500.7

Model Number	D	K	P	R	HA	HB	PT	SA	SB	SC
2326B00-VR2B	61	10	1/4" NPT	10	30.5	28	5	13	95°	28
	(2.40)	(0.39)	1/4" NPT	(0.39)	(1.20)	(1.10)	(0.20)	(0.51)	95°	(1.10)

Panel mounting thread  $\phi Y$  is 15/16" dia. x 26 TPI Whit Form.

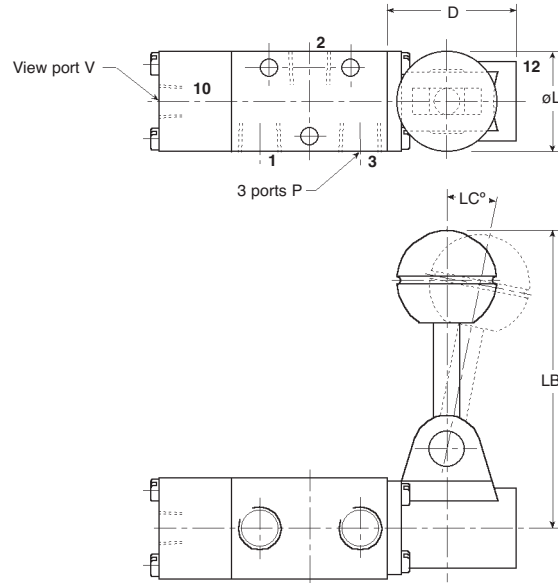
#### 3/2 Lever Operated, Spring Return

2326M25-VR2B



#### 3/2 Lever Operated, with Detent

2326B553VR2B



For basic valve dimensions, see 3/2 spring return and pilot air return bases on page 1500.7

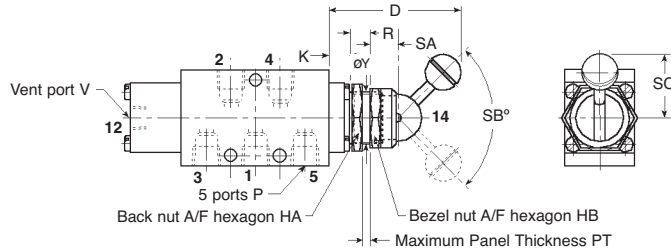
Model Number	D	L	LB	LC	P	V
2326M25-VR2B	41.25	32	96	11.3°	1/4" NPT	-
	(1.62)	(1.26)	(3.78)	11.3°	1/4" NPT	-
2326B553VR2B	41.25	32	96	11.3°	1/4" NPT	1/8" NPT
	(1.62)	(1.26)	(3.78)	11.3°	1/4" NPT	1/8" NPT

### MANUALLY OPERATED (SWITCH), MANUALLY OPERATED (LEVER)

#### INSTALLATION DIMENSIONS mm (inches)

**5/2 Switch Operated, Spring Return with Detent.**  
**5/2 Switch Operated, Spring Return.**

2526B00-VR2B  
 2526B20-VR2B



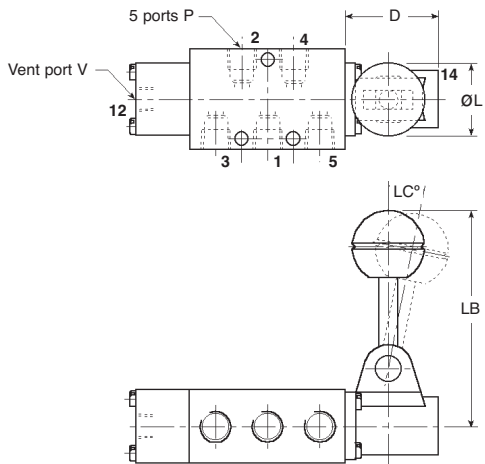
For basic valve dimensions, see 5/2 spring return bases on page 1500.7

Model Number	D	K	P	R	HA	HB	PT	SA	SB	SC	V
2526B00-VR2B	61	10	1/4" NPT	10	30.5	28	5	13	95°	28	1/8" NPT
	(2.40)	(0.39)	1/4" NPT	(0.39)	(1.20)	(1.10)	(0.20)	(0.51)	95°	(1.10)	1/8" NPT

Panel mounting thread ØY is 15/16" dia. x 26 TPI Whit Form.

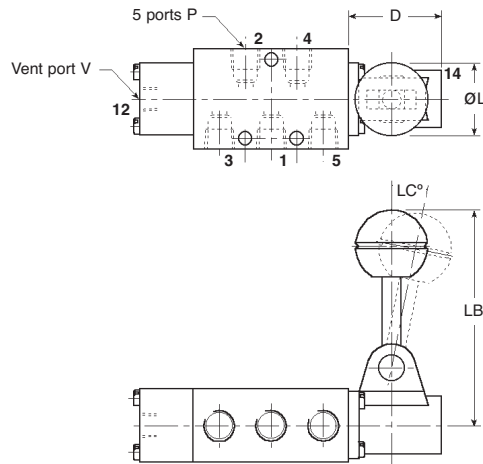
### 5/2 Lever Operated, Spring Return.

2526M25-VR2B



### 5/2 Lever Operated, with Detent.

2526B553VR2B



For basic valve dimensions, see 5/2 spring return bases on page 1500.7

Model Number	D	L	LB	LC	P	V
2526M25-VR2B	41.25	32	96	11.3°	1/4" NPT	1/8" NPT
	(1.62)	(1.26)	(3.78)	11.3°	1/4" NPT	1/8" NPT
2526B553VR2B	41.25	32	96	11.3°	1/4" NPT	1/8" NPT
	(1.62)	(1.26)	(3.78)	11.3°	1/4" NPT	1/8" NPT